

Axminster Town Council

Chard Road Cemetery

CEMETERY CHARGES

Issued January 2023 (rev.E)

EXCLUSIVE RIGHT OF BURIAL (ERB) FOR A PERIOD OF NINETY-NINE YEARS

Purchasing the Exclusive Right of Burial grants the holder some legal rights over a grave for a period of ninety-nine years. It offers you the right to choose who can be buried or interred within a plot and allows you to place a memorial (subject to additional fees, see memorials section).

The fees set out below are applicable where the purchaser lives, or has lived, in the parish of Axminster at some point within the previous 10 years. These fees also apply when being purchased for an immediate interment or burial, where the deceased had lived in Axminster at some point within the 10 years before their death.

For anyone else, living outside the parish of Axminster, the fees set out below will be doubled.

1. For Exclusive Right of Burial for a person under the age of 18 in a child's grave or ashes plot:
(see Cemetery Regulations for details regarding children's graves as additional conditions apply)
.....£0.00
2. For the Exclusive Right of Burial for a person over the age of 18 in a grave space 9' X 4'
.....£900.00
3. For the Exclusive Right of Burial of cremated remains in the Garden of Rest (G.O.R.) for a person over the age
of 18 in a grave space 2' X 2'£300.00
4. For reassignment or reissue of an existing Exclusive Right of Burial deed.....£50.00

**There is no predetermined right for you to inter further loved ones into the grave space without an ERB.
Please see the Cemetery Regulation's for full terms and conditions**

The pre-purchase of a grave space can be arranged directly with Axminster Town Council at our office located inside the Guildhall Axminster or via phone on 01297 32088. The next available grave will be allocated to you by the Council, specific plot requests will not be granted.

New burial plots will be in the 'Z section' located at the back left-hand side of the cemetery. Garden of Rest ashes plots are to the right-hand side, around a third of the way up the central path. Please call on 01297 32088 if you would like any assistance.

BURIALS & INTERMENTS

The fees set out below apply where the person (or the parent(s) of a person under the age of 18) to be buried or interred was a resident of the parish of Axminster at the time of death or resided in Axminster within the 10-year period prior to their death. Fees will be doubled for anyone who lived outside the Parish of Axminster (except in the circumstance listed above).

Grave digging services are NOT provided by Axminster Town Council for burials, arrangements for this will need to be made via a funeral director. The Council or a Council-approved contractor will provide the grave digging services for ashes interments, arrangements for this can be made either directly through Axminster Town Council or via a funeral director.

1. For the burial of a body, or the interment of the cremated remains, of a person under the age of 18:.....£0.00
(Single-depth grave, see Cemetery Regulations for details regarding children's graves)
2. For the burial of the body of a person 18 years or over:.....£500.00
(Double-depth grave unless specified otherwise)
3. For the interment of the cremated remains of a person 18 years or over:£150.00
(Cremated remains can be within or without a container)
4. For the scattering of the cremated remains in the Rose Bed:£50.00
(Plaques are not allowed to be placed in the Rose Bed. Ashes are not permitted to be scattered anywhere else in the cemetery)

COMMERCIAL SEARCHES IN REGISTERS

1. Digital/physical records search per hour£30.00
(Minimum of 1-hour fee will apply)
2. Certified copy of a Burial Record entry£20.00

MONUMENTS, GRAVESTONES, TABLETS AND MONUMENTAL INSCRIPTIONS

Ownership of an Exclusive Right of Burial will need to be proved before any monument/memorial can be erected or modified.

Drawings of proposed monuments/memorials, including inscriptions and replacement memorials, will need to be sent to and authorised by Axminster Town Council before work can begin.

HEADSTONES

1. Memorials on a traditional burial plot must not exceed an overall height of 42", 30" width and 6" depth. (Memorial bases must not exceed 6" in height, 36" in width and 18" in depth, this is also the maximum size allowed for memorial foundations. If a memorial foundation is to be larger, please speak to the Burial Officer)
.....£200.00
2. G.O.R. Memorials must not exceed 20" in height, 24" in width and 6" in depth. (G.O.R. Memorial bases must not exceed 6" in height, 24" in width and 18" in depth, this is also the maximum size allowed for G.O.R. memorial foundations. If a memorial foundation is to be larger, please speak to the Burial Officer)
.....£200.00

All headstones or memorials must bear the trade name of the Funeral Director/Stonemason and must not be painted, gilded or leaded. However, The plot and grave number must be painted, gilded or leaded.

FLAT (LEDGER) STONES/ PLAQUES/ TABLETS/WEDGES/DESK TOP VASES (Burial or G.O.R plots)

1. Must not exceed 6" in height, 24" in width and 18" in depth. (Foundations for these types of memorials must not exceed 6" in height, 24" in width and 18" in depth)
.....£100.00

Please see Appendix 1 for illustrations of maximum sizes

MEMORIAL VASES/ FOOTSTONES

1. Must not exceed 12" cubed£100.00

Any other receptacle that is not a memorial vase will need prior approval from Axminster Town Council. Glass/plastic receptacles will NOT be permitted.

REPLACEMENT OF AN EXISTING MEMORIAL

1. Replacement memorials must adhere to all current guidelines and re-receive authorisation from Axminster Town Council £100.00

ADDITIONAL INSCRIPTIONS

1. Additional inscriptions to a pre-existing memorial£100.00

Kerb Sets/ Table Memorials/ Obelisks/ Pinnacles are no longer permitted in this cemetery

Please see Axminster Town Council's Cemetery Regulations sections 29-46 for full memorial guidance.



Axminster

Town Council

Axminster Town Council as the Burial Authority reserves the right to review and amend these cemetery charges at any point.

Please contact Axminster Town Council for a copy of our Cemetery Regulations, they can also be found on our website: www.axminstertowncouncil.gov.uk

**Axminster Town Council
The Guildhall
West Street
Axminster
EX13 5NX**

**Open 9.00 – 16 :00 Monday to Thursday
(Friday by appointment)**

Phone: 01297 32088

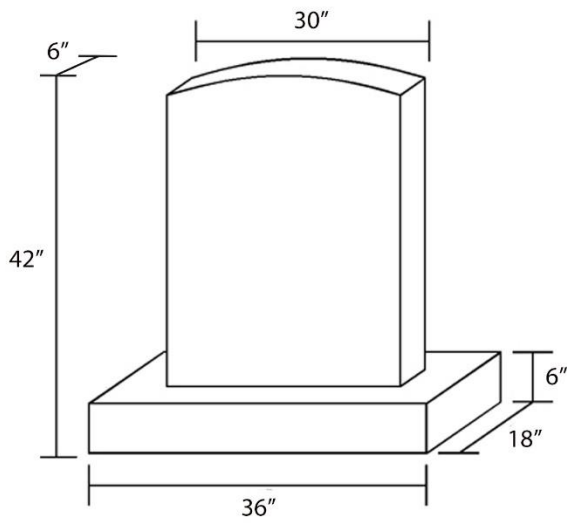
Email: enquiries@axminstertowncouncil.gov.uk

Burial Officer Emergency Contact: 07711929227

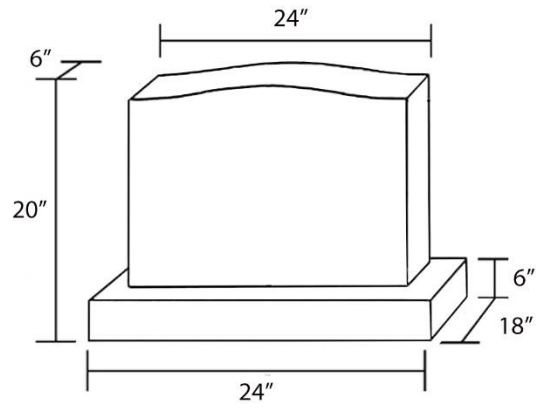
These fees were approved by the meeting of the Operations Committee on 27th September 2022 (minutes entry OC22/179ii) and ratified by the FULL Council on 10th October 2022.

APPENDIX 1: MAXIMUM MEMORIAL SIZES

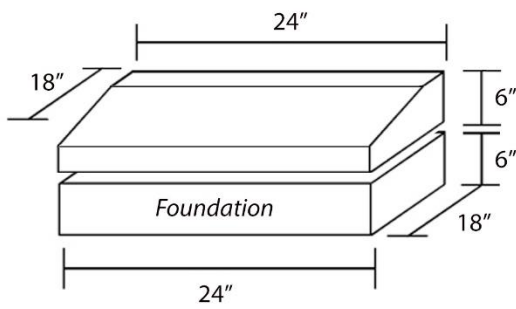
Headstones on full burial plots



Memorials on G.O.R. ashes plots



Wedge and Desk Top Vase Memorials on full burial and G.O.R. ashes plots



Flat Memorials Plaques and Tablets on full burial and G.O.R. ashes plots

